

Technical Specifications

Product Number	Description
P006979	WatchCare™ reader, indicator light and antennas
P006980	WatchCare™ smart pad

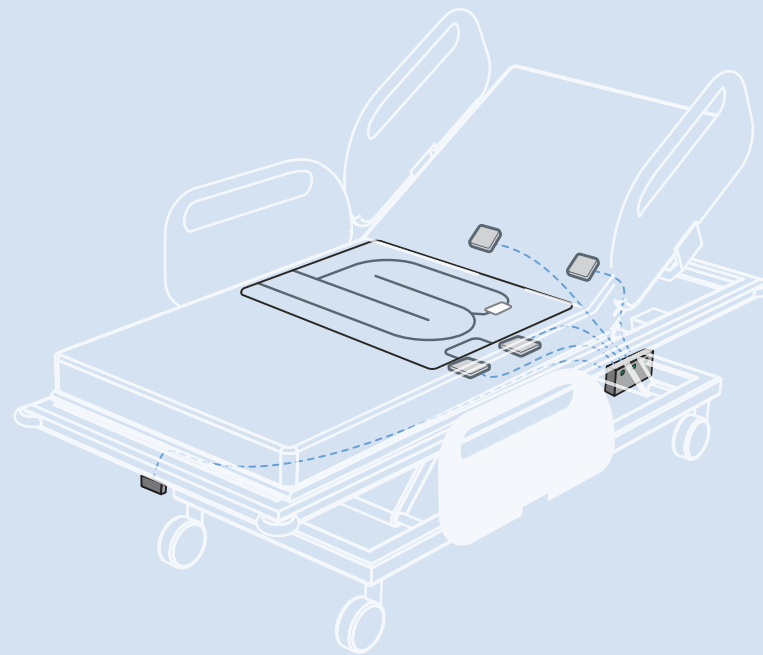
Feature	Dimension
WatchCare™ smart pad	30" x 36" (76.2 cm x 91.4 cm)

Environmental Conditions for Use

Condition	Range
Temperature	50°F to 104°F (10°C to 40°C)
Relative humidity	20% to 85%
Atmospheric pressure	70kPa to 106 kPa

Environmental Conditions for Transport and Storage

Condition	Range
Temperature	-20°F to 140°F (-29°C to 60°C)
Relative humidity	10% to 95%
Atmospheric pressure	50kPa to 106 kPa



References

1. Gray M and Giuliano K. J Wound Ostomy Continence Nurs. 2018;45(1):63-67. Published by Lippincott Williams & Wilkins.
2. Lachenbruch C, et al. WOCN Poster 2016. Pressure Ulcer Risk in the Incontinent Patient: Analysis of Incontinence and Hospital-Acquired Pressure Ulcers from the International Pressure Ulcer Prevalence Survey.
3. Tauber-Gilmore M, et al. JCN 17 May 2017. The views of older people and health professionals about dignity in acute hospital care.
4. Thayer D. OWM. Apr 2017. Practical Perspectives: Incontinence-associated Dermatitis: Changing Practice, Improving Care. <https://www.o-wm.com/issue/3623>.
5. Doyle C, Lennox L, Bell D. A systematic review of evidence on the links between patient experience and clinical safety and effectiveness. BMJ Open 2013; 3:e001570 doi:10.1136/bmjopen-2012-001570.
6. Deitrick LM, Baker K, Paxton H, Flores M, Swavely D. Hourly rounding: challenges with implementation of an evidence-based process. J Nurs Care Qual. 2012;27(1):13-19.
7. Fernando J, Wagg A. JWOCN 2017. What Wait Time in a Soiled Pad Is Acceptable to Older Patients and Their Direct Caregivers?

Hill-Rom reserves the right to make changes without notice in design, specifications and models. The only warranty Hill-Rom makes is the express written warranty extended on the sale or rental of its products.

©2018 Hill-Rom Services, Inc. ALL RIGHTS RESERVED.
207922 rev 2 11-DEC-2018 ENG - US

For further information about this product or a service, please contact your local Hill-Rom representative or visit our webpage:

USA 800-445-3730
Canada 800-267-2337

www.hill-rom.com

WatchCare™ Incontinence Management System

Information that Elevates Care



The WatchCare™ System provides caregivers with real-time incontinence detection and is designed to:

	PROTECT PATIENT'S SKIN		IMPROVE PATIENT EXPERIENCE		OPTIMIZE CAREGIVER EFFECTIVENESS
---	------------------------	---	----------------------------	---	----------------------------------

Enhancing outcomes for patients and their caregivers:

Hill-Rom

Enhancing outcomes for patients and their caregivers:

Hill-Rom

THE WATCHCARE™ INCONTINENCE MANAGEMENT SYSTEM ELEVATES THE PATIENT EXPERIENCE AND ENHANCES SAFETY THROUGH REAL-TIME INCONTINENCE CARE.

PROTECT PATIENT'S SKIN

47% of hospital patients are incontinent.¹

3.7x

- 45% of incontinent patients develop IAD.¹
- Incontinent patients are 3.7 times more likely to develop a relevant pressure injury than continent patients.²

The WatchCare™ system:

- Provides timely alerts to help reduce patient exposure to moisture
- May minimize the threat of painful IAD and full-thickness pressure injuries



IMPROVE PATIENT EXPERIENCE

Incontinence can **negatively impact** a patient's physical and mental health, and quality of life.^{3,4}



- Unmanaged incontinence can lead to patient embarrassment, loss of dignity, and poor perception of care.
- **Patient satisfaction scores improve** when patients see their basic care and comfort needs are adequately met.⁶

The WatchCare™ system's discrete, real-time incontinence notifications may:

- Provide peace of mind for patients and families
- Monitor resting patients without awkward incontinence checks
- Eliminate embarrassment of self-reporting and help promote dignity



OPTIMIZE CAREGIVER EFFECTIVENESS

Skin can be compromised in as little as 15 minutes after exposure to moisture, despite the use of a premium underpad.



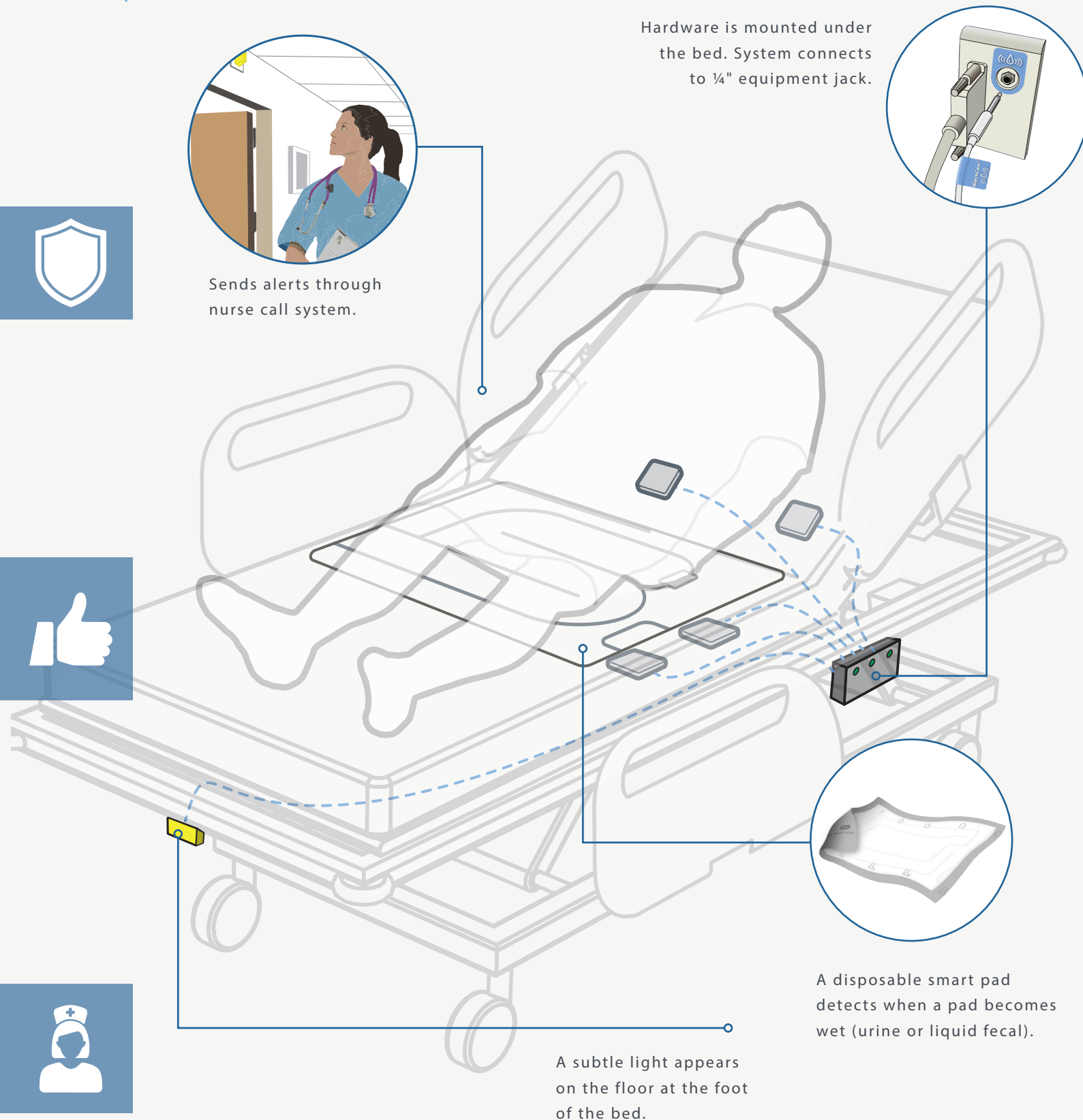
- Caregivers reported a wait time >15-minutes is unacceptable for incontinence care.⁷
- Incontinence is often detected during rounds, not in real-time.
- Moisture alerts allow staff to proactively anticipate patient needs, before entering the patient's room, providing patients and family with peace of mind.

The WatchCare™ system's real-time notification of incontinence promotes:

- Responsiveness to incontinent events
- Prioritized patient care



The WatchCare™ Incontinence Management System may help nursing and hospital management improve the patient experience and reduce skin breakdown/pressure injuries, both of which have a measurable impact on patient satisfaction, clinical outcomes and hospital economics.⁵



Hardware is mounted under the bed. System connects to 1/4" equipment jack.

Sends alerts through nurse call system.

A subtle light appears on the floor at the foot of the bed.

A disposable smart pad detects when a pad becomes wet (urine or liquid fecal).